



## Excavator SWE 60UF



Operating Weight	5.63t(rubber track)/5.7t(steel track)
Engine Power	36.5kW/2000rpm / 35kW/2000rpm
Engine Brand	KUBOTA
Standard Bucket Capacity	0.18m <sup>3</sup>
Max. Digging Depth	3.71m

### Excavator SWE60UF

#### Parameter

##### ENGINE

Brand	KUBOTA
Model	V2607-DI-TE3B
Type	4-cylinder 4-stroke water-cooled
Displacement	2.615L
Power	36.5kW/2000rpm / 35kW/2000rpm

##### DIMENSIONS

Counterweight Clearance	630mm
Tail Swing Radius	1050mm
Shipping Length	5498mm
Shipping Width	1830mm
Shipping Height	2550mm

##### ELECTRIC SYSTEM

Nominal Voltage	12V
Batteries	120Ah
Alternator	12V-55A
Starter	12V-3.0kW

##### WORKING RANGES

Max. Cutting Height	5615mm
Max. Loading Height	3950mm
Max. Digging Depth	3710mm
Max. Vertical Wall Digging Depth	3050mm
Max. Digging Reach	6230mm
Max. Reach at Ground Level	6105mm
Bucket Digging Force(ISO)	46.8kN
Stick Digging Force(ISO)	31.1kN
Ground Pressure	33.1kPa
Swing Speed	9.4rpm

##### DRIVE

Max.Travel Speed (2nd/1st)	4.07/2.43 km/h
Gradeability	35°
Max. Traction	48.9kN

##### UNDERCARRIAGE

Undercarriage Width	1960mm
Shoe Width	400mm
Length to Center of Rollers	1965mm
Track Length	2495mm
Track Height	594mm

##### CAPACITY

Fuel Tank	70L
Hydraulic Oil Tank	70L

##### BULLDOZING BOARD

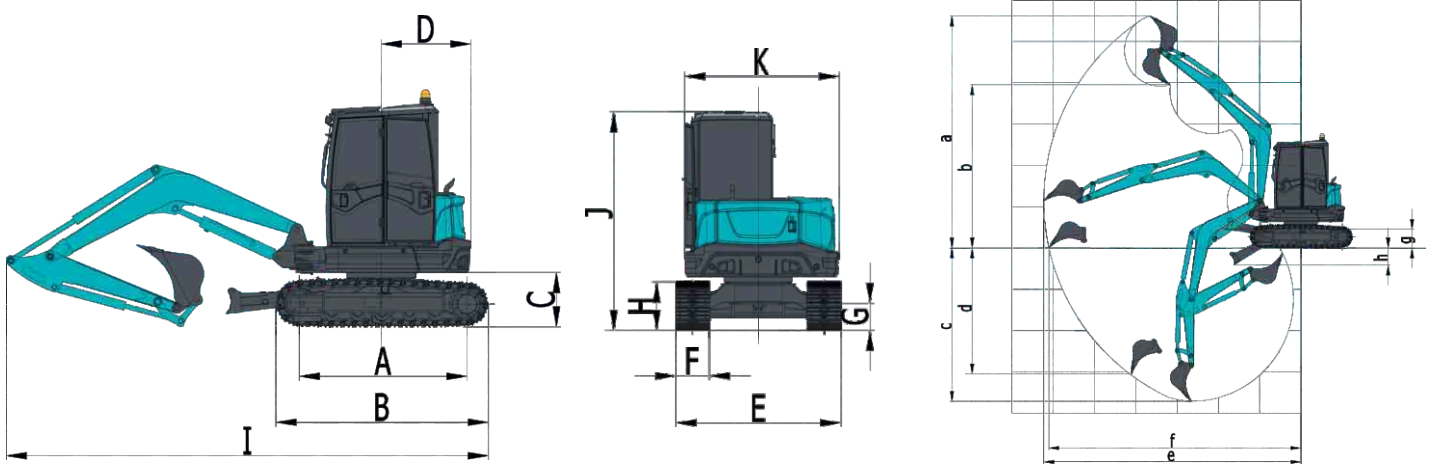
independent moving, controlled by the gear shift lever	
Length X Width	1960X340mm
Max. Lifting Height	455mm
Max. Cutting Depth	415mm

##### HYDRAULIC SYSTEM

Main Pumps	
Type	2 variable displacement pumps, 1 gear pump
Displacement	2x59+42 L/min
Working Pressure	2x24.5+21 MPa

# Excavator SWE 60UF

## Working Ranges



## Load Capacity (standard stick: 1.6m)

B(m)	A(m)	MAX.		5.0		4.0		3.0	
		Front(kg)	Side(kg)	Front(kg)	Side(kg)	Front(kg)	Side(kg)	Front(kg)	Side(kg)
4.0		885.4*	837.5*	–	–	842.3*	861.4*	–	–
3.0		866.2*	581.7	–	–	885.4*	871.0*	–	–
2.0		832.7*	486.8	–	–	981.1*	697.2	1316.1*	1301.7*
1.0		890.2*	449.7	918.9*	474.5	1115.1*	631.2	1703.7*	969.5
0.0		1186.9*	585.8	1196.4*	614.7	1483.6*	750.9	1971.7*	1043.8
-1.0		1172.5*	614.7	–	–	1182.1*	639.5	1617.6*	837.5
-2.0		731.1*	833.4	–	–	713.1*	833.4	1397.4*	915.9

## Notes:

- 1) Load with \* is limited by hydraulic capacity and based on ISO 10567. Rated loads do not exceed 87% of hydraulic capacity.
- 2) Load without \* is limited by tipping load and based on ISO 10567. Rated loads do not exceed 75% of tipping load.

S.A.S MANDAMAT  
2020 Route d'Heyrieux  
69360 SAINT-SYMPHORIEN-D'OZON  
TEL: 04.72.76.23.93 / Fax: 09.70.10.15.20  
Email: [contact@mandamat.com](mailto:contact@mandamat.com)

### ■ SUNWARD INTELLIGENT EQUIPMENT CO.,LTD.

Add: Sunward Intelligent Industrial Park, Xingsha, Changsha, 410100, China.  
Tel: (0086-731) 83572 828 Fax: (0086-731) 83572 661  
E-mail: [international@sunward.com.cn](mailto:international@sunward.com.cn)  
Web: [www.sunward.com.cn](http://www.sunward.com.cn)

### ■ SUNWARD EUROPE HEAVY INDUSTRY NV

Add: Nijverheidspark 3, 3580 Beringen, Belgium  
Tel: (0032-011) 434666  
E-mail: [eu@sunward.cc](mailto:eu@sunward.cc)

