



Barford TR8048M Tracked Conveyor



Cat 4.4 Engine, Tracked Conveyor 80ft x 48", Reversible Hyd Auger/Agitator Attachment, Twin Drive, Hyd Slew Hubs, Hyd Raise/Lower, Hyd Head Fold, Galvanized Legs & Guards, Hyd Oil Cooler, Remote Control Movement, Central Greasing.

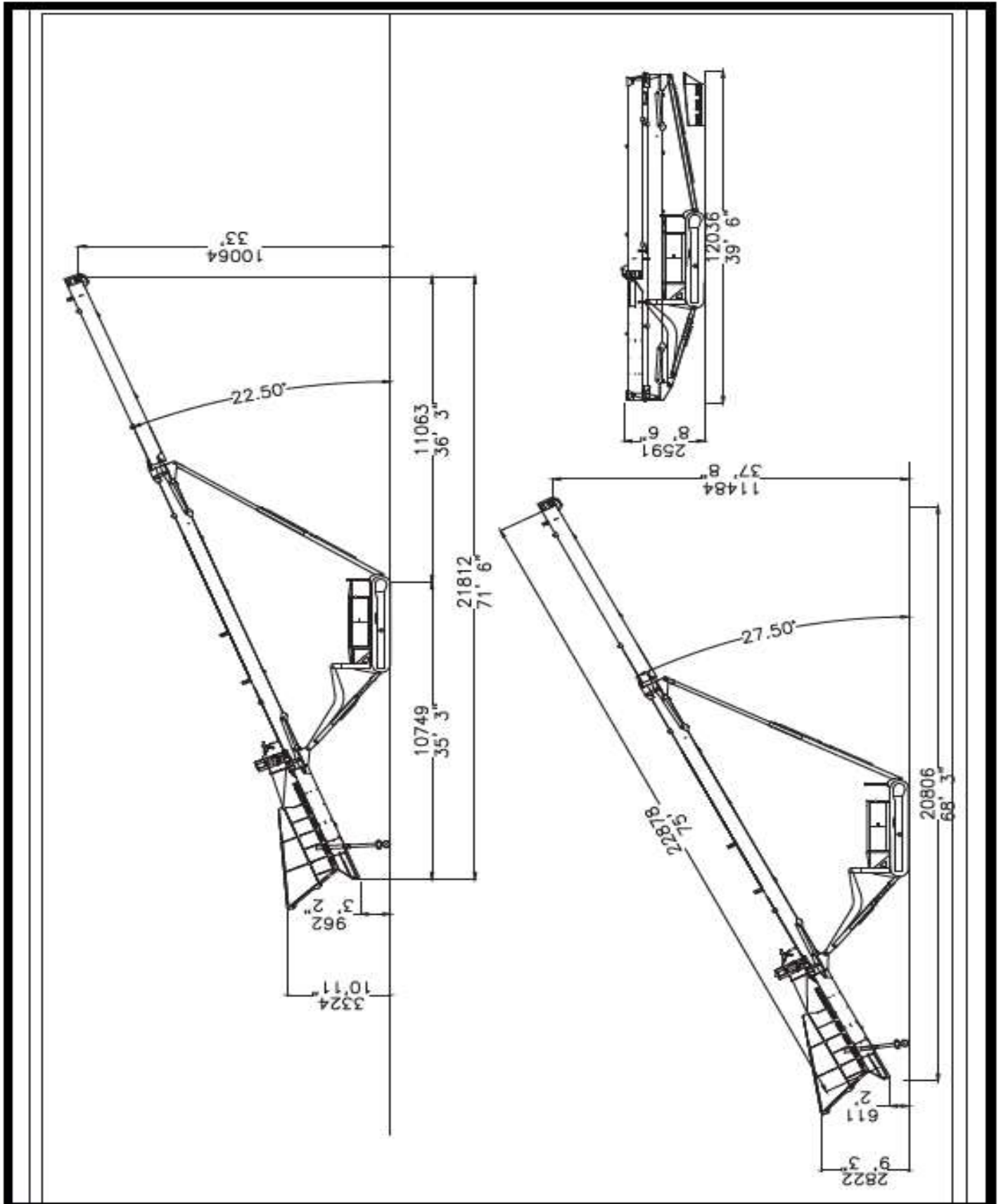


MandaMat

VENTE PIÈCES & MATÉRIELS TP – CARRIERS – RECYCLAGE – MANUTENTION



Barford TR8048M Tracked Conveyor



MandaMat

VENTE PIÈCES & MATÉRIELS TP - CARRIÈRES - RECYCLAGE - MANUTENTION