



Barford SM312 Wheeled Screener



CAT 2.2 37kw Engine, Single Axle Mobile 12' X 4' (3m x 1.29m) Double Deck Screen c/w Extended Folding Fines Conveyor, Removable Towbar.

Options: Double Drive Pump to Suit Aux.

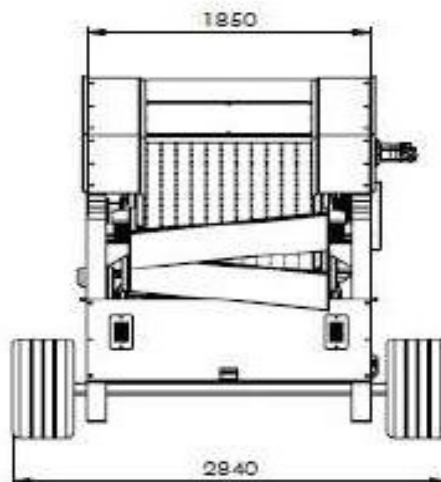
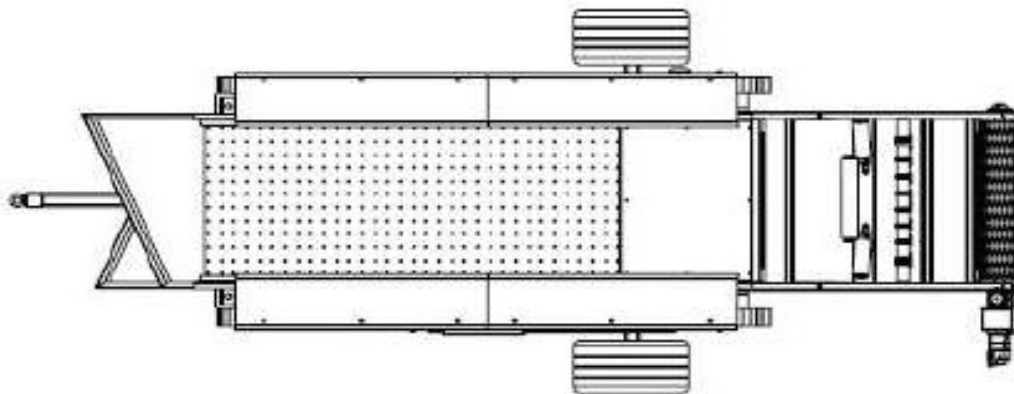
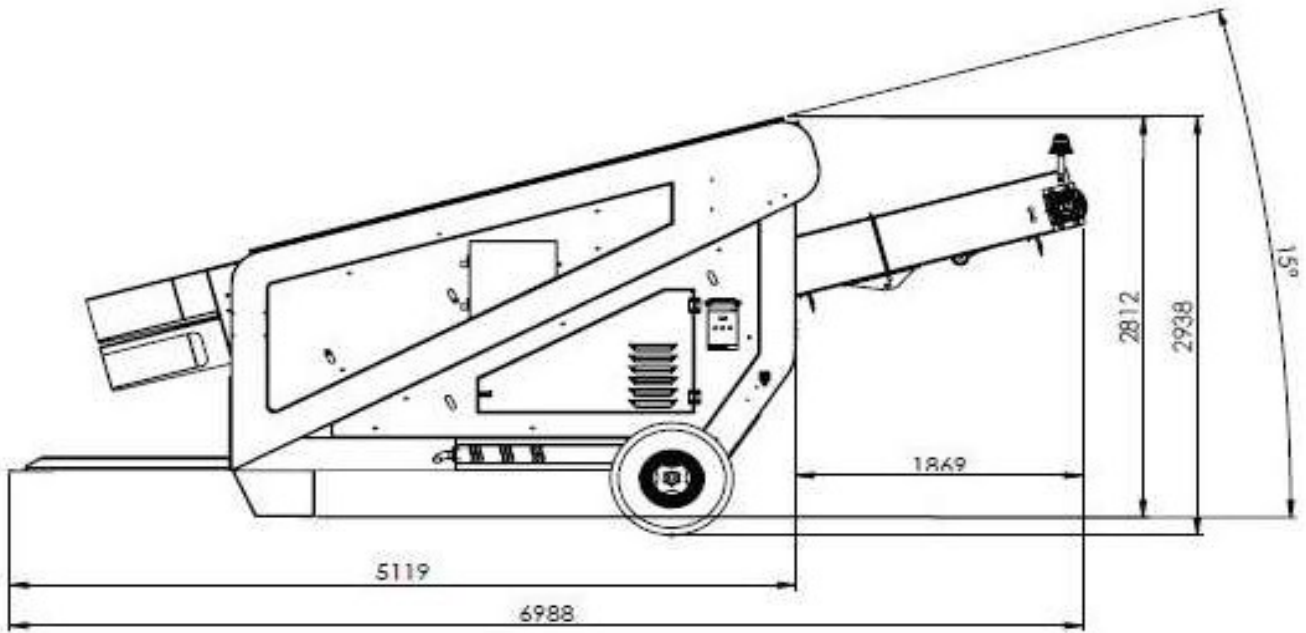


MandaMat

VENTE PIÈCES & MATÉRIELS TP – CARRIÈRES - RECYCLAGE – MANUTENTION



Barford SM312 Wheeled Screener



Weight: 5.000kg/11.000lbs



MandaMat

VENTE PIÉCES & MATÉRIELS TP - CARRIÈRES - RECYCLAGE - MANUTENTION