



Barford R8048TR Tracked Stockpile Conveyor



Barford R8048TR Tracked Radial Stockpile Conveyor.

Cat 4.4 Engine, 80' x 48" Tracked Radial, Hyd Slewing Wheels, Crawler Tracks at Feed Hopper, Fully Automatic Radial System, Hyd Raise/Lower, Impact Bars under Feeder, Eaton OMV 400 Twin Head Drive, Hydreco Twin 33/33 Cast Iron Pumps

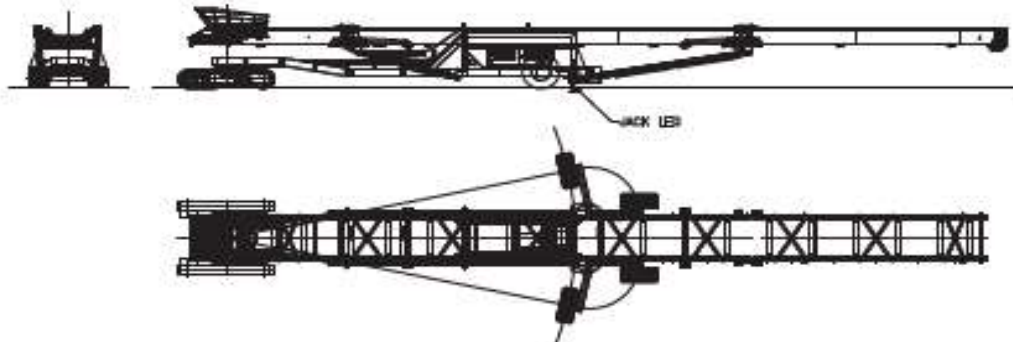
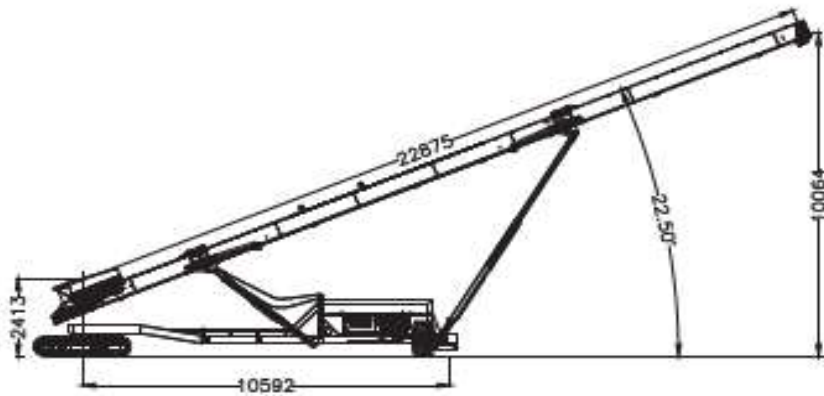
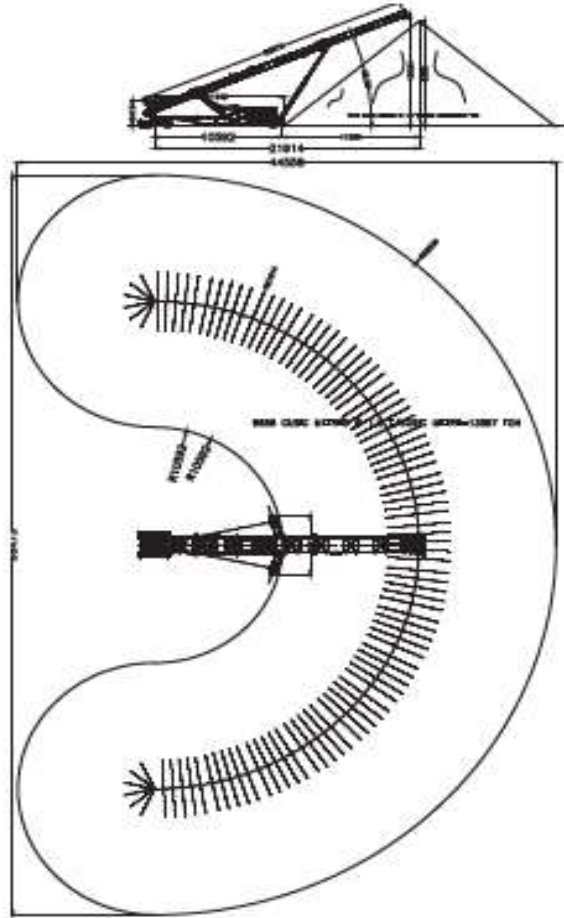


MandaMat

VENTE PIÈCES & MATÉRIELS TP - CARRIERS - RECYCLAGE - MANUTENTION



Barford R8048TR Tracked Stockpile Conveyor



MandaMat

VENTE PIÉCES & MATÉRIELS TP - CARRIÈRES - RECYCLAGE - MANUTENTION