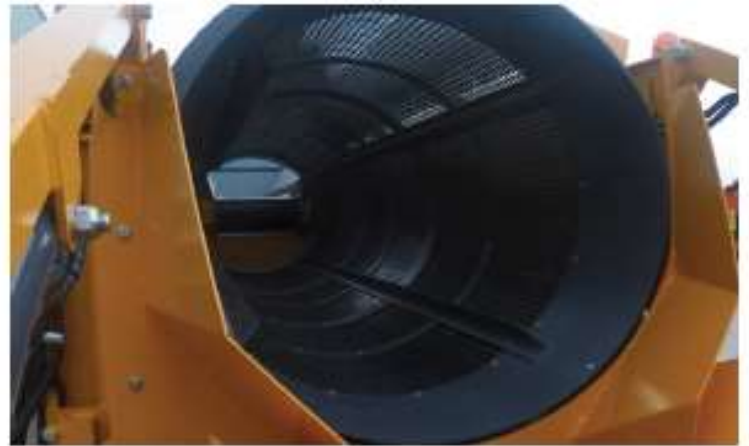




Barford T516 Tracked Trommel



Power Unit: CAT 4.4 74KW Engine, 5'x16' Drum, Variable Screening Angle, Hopper Capacity: 3.8M³, Over 300ft² Screening Area, Feeder Belt Width 950mm, Side Conveyor Belt Width 650mm, Transfer Conveyor Belt Width 1050mm, Oversize Conveyor Belt Width 950mm, Chevron Belt, Tracks: 3M Tracks.

Options: Dual Power, Fully Automatic Wireless Functions.

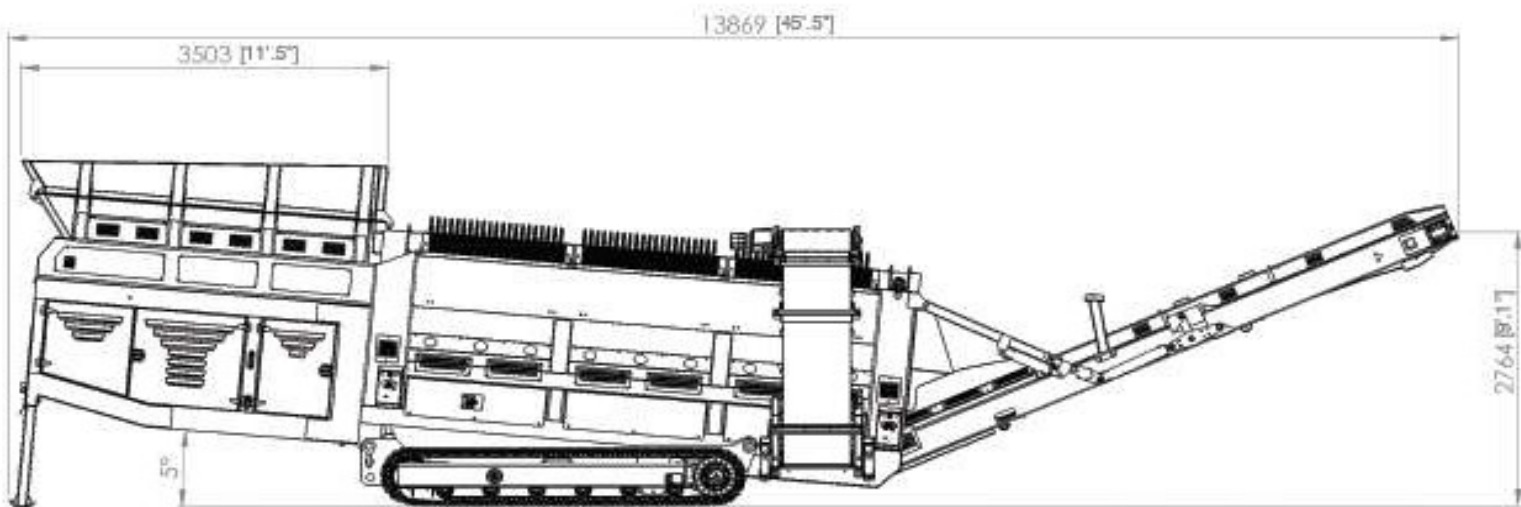
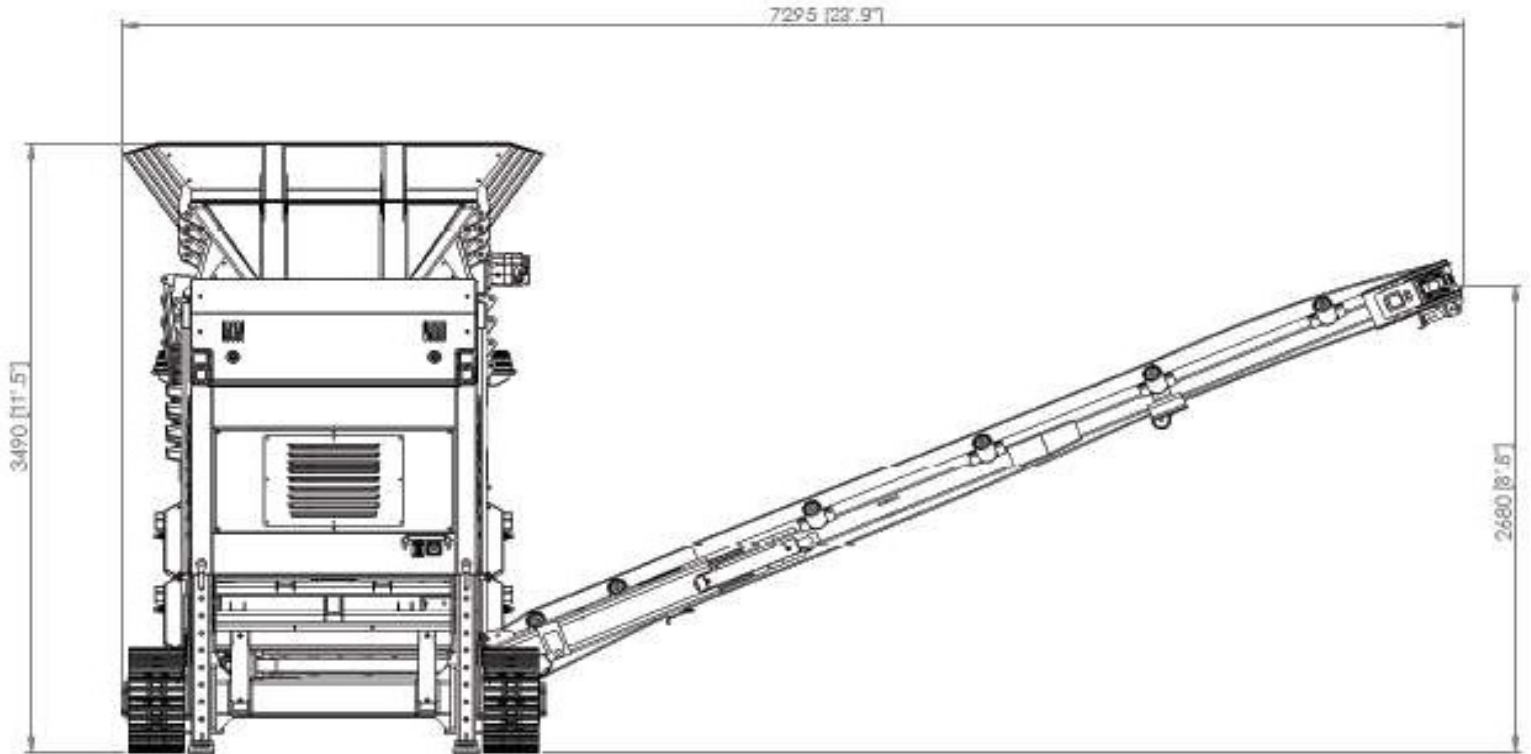


MandaMat

VENTE PIÈCES & MATÉRIELS TP - CARRIERS - RECYCLAGE - MANUTENTION



Barford T516 Tracked Trommel



Weight: 17,000kg/37,500lbs



MandaMat

VENTE PIÈCES & MATÉRIELS TP - CARRIÈRES - RECYCLAGE - MANUTENTION